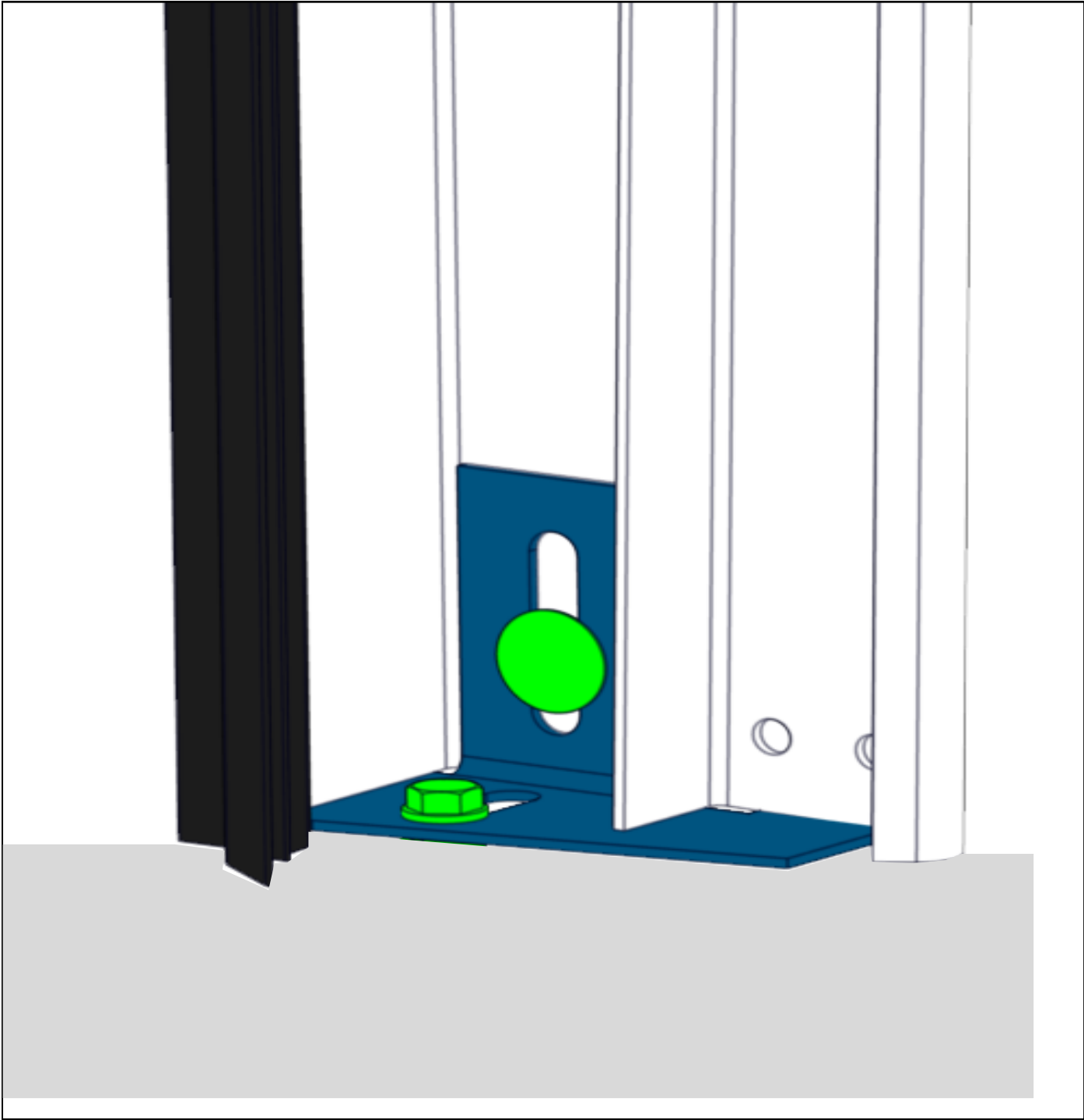
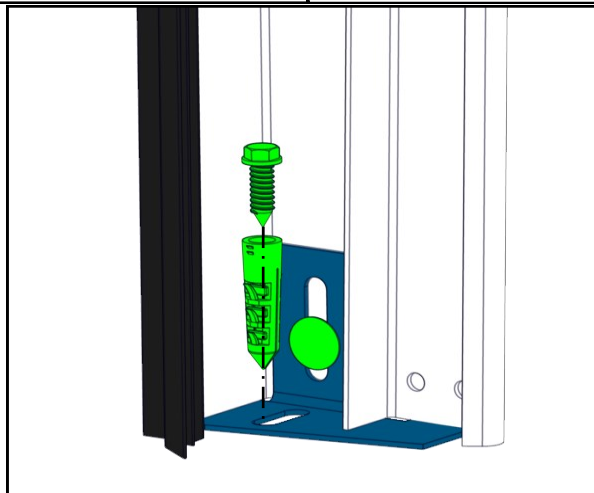
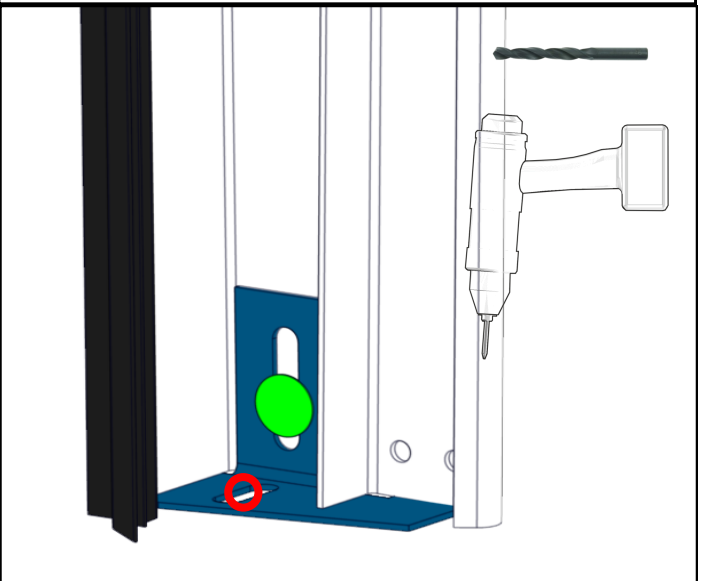
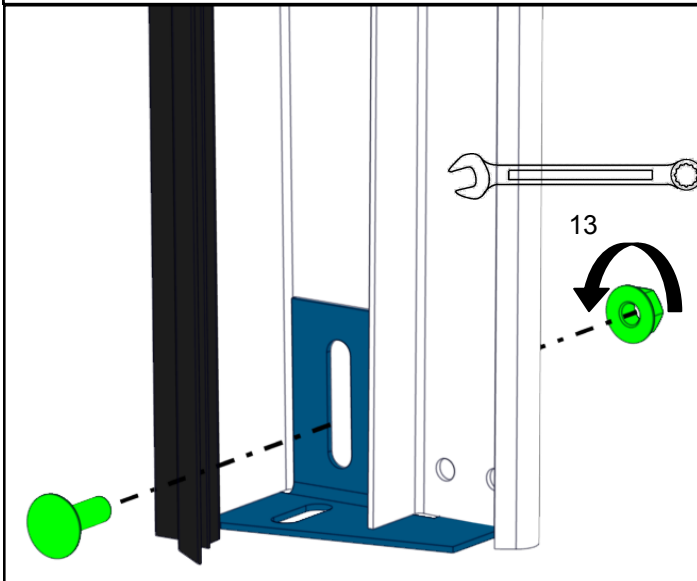
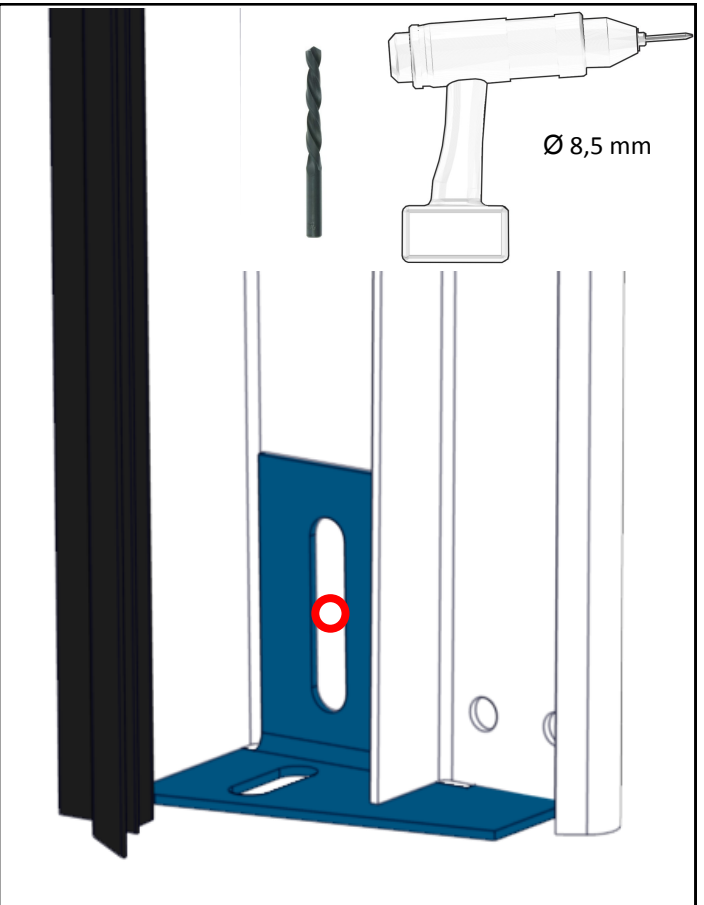
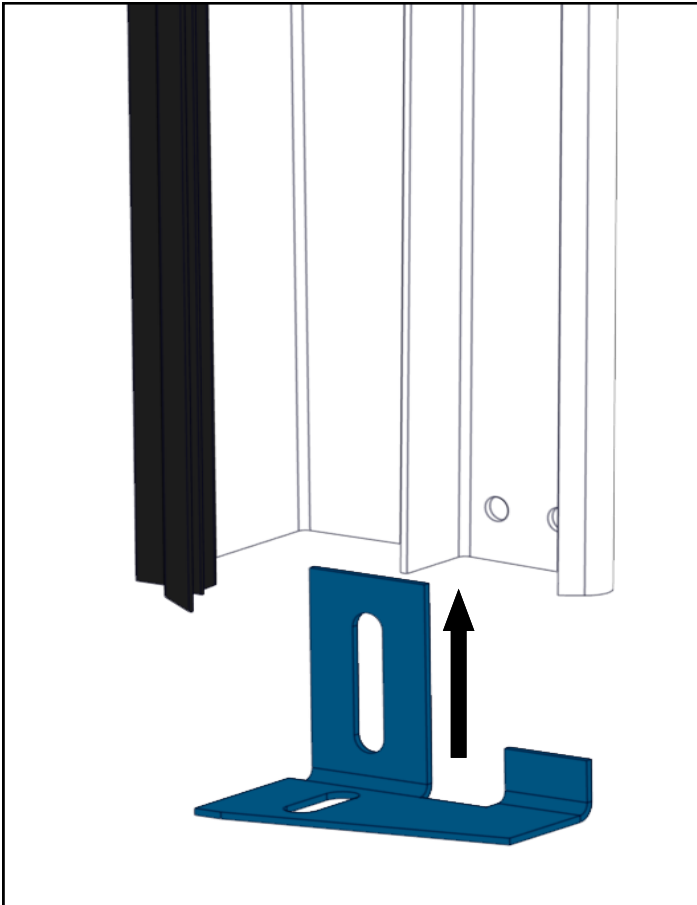
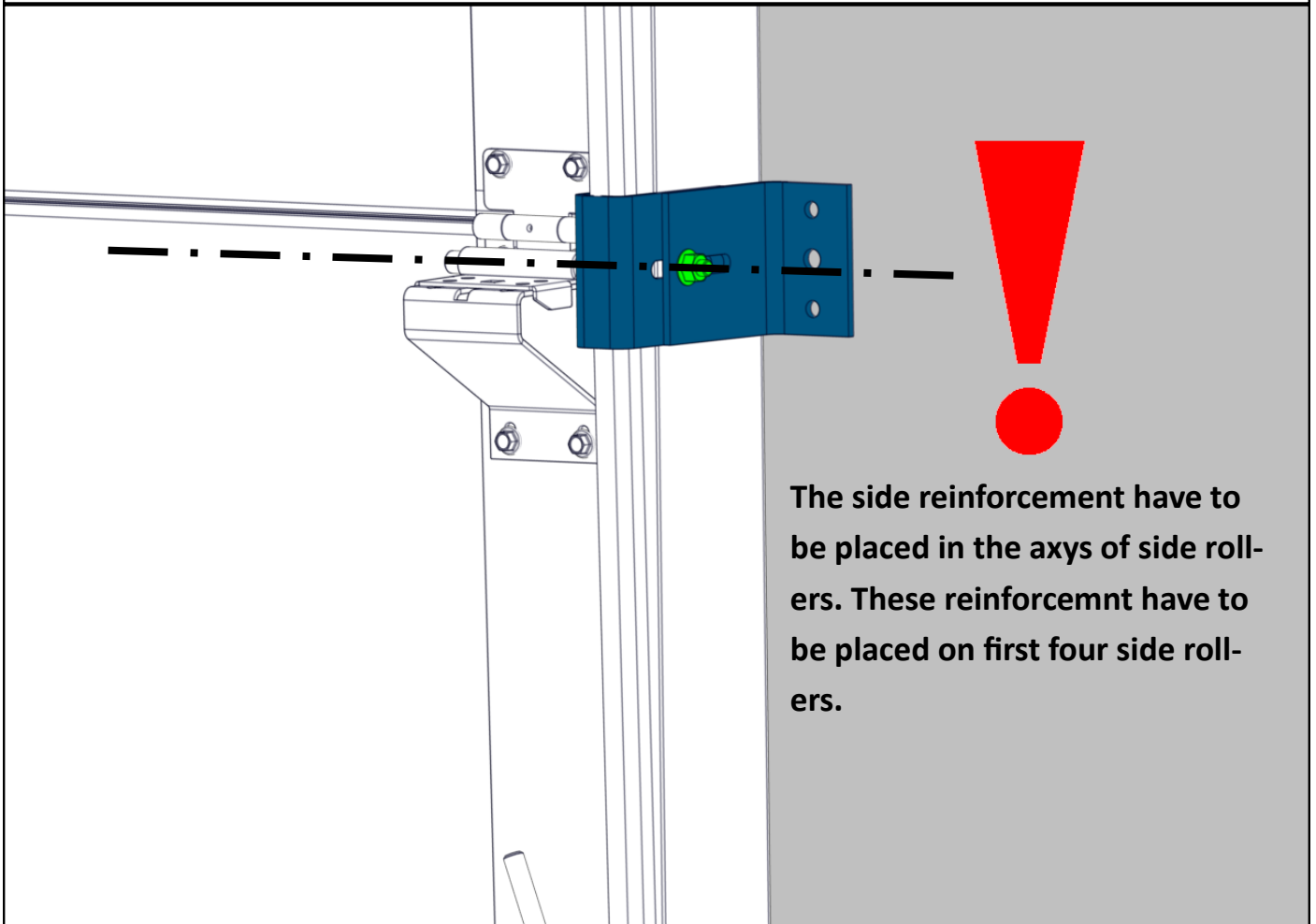
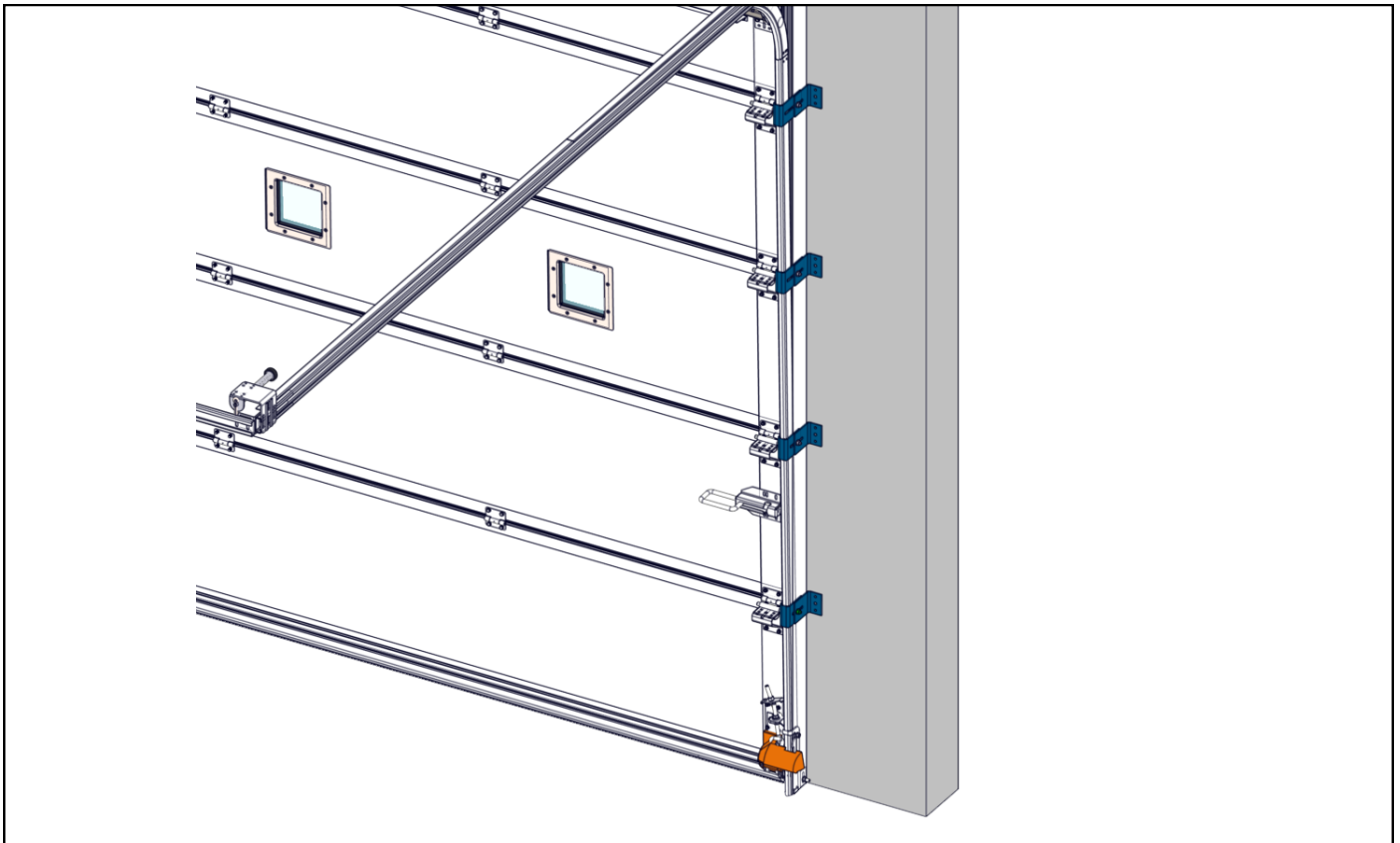


# Instalation of bottom reinforcement profile





# Instalation of side reinforcement profile



The side reinforcement have to be placed in the axys of side rollers. These reinforcemnt have to be placed on first four side rollers.

